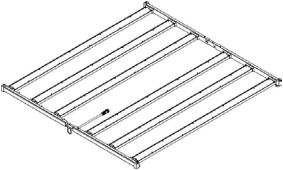
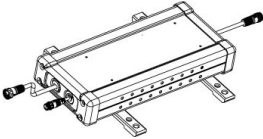






Empower Controlled Environment Install Instructions

(Part #: HLK-KKKK-DXX)

PARTS/TOOLS NEEDED:

			
Empower Light	Power Supply Kit	Lamp Mounting Hardware (Not Provided)	AC & Dimming Cord Accessories (3Ft or 6Ft)

IMPORTANT SAFETY INSTRUCTIONS - SAVE THESE INSTRUCTIONS

Read all instructions before using this product.

EMPOWER SHOULD ONLY BE INSTALLED USING THE FOLLOWING INSTRUCTIONS. FAILURE TO FOLLOW THESE INSTRUCTIONS WILL VOID THE WARRANTY.

DANGER - To reduce the risk of electric shock; Turn off power, lockout etc. before installation, cleaning or inspection.

WARNING - To reduce the risk of burns, fire, electric shock, or injury to persons:

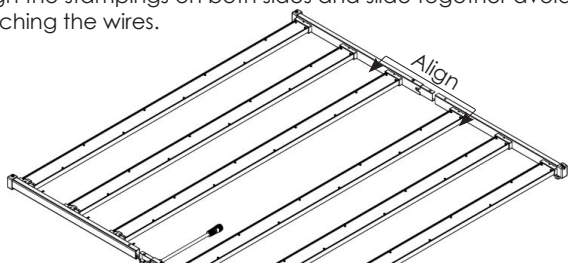
- Disconnect from power and unmount before servicing.
- For commercial or industrial use only.
- Use this product only for its intended use as described in these instructions.
- Installation of this product should be completed by a qualified electrician in accordance with NEC and local codes.
- Never operate this product if it has a damaged cord or plug, if it is not working properly, or if it has been dropped or damaged. Contact ITC for a replacement.
- Keep the cord away from heated surfaces.
- Luminaire suitable for operation in an ambient temperature between 0°C and 30°C (a mechanical ventilation or cooling system is required to maintain the temperature within the growing space below 30°C when the luminaire is in operation).
- Do not use outdoors, suitable for dry, damp and wet locations. Do not immerse any components.

WARNING - Caution, possible hazardous optical radiation emitted from this product. Do not stare at operating lamp. May be harmful to the eyes.

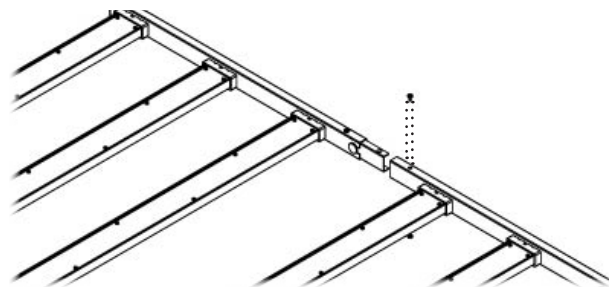
1. ATTENTION

- Selection of material having the proper strength and corrosion resistance for the environment is the responsibility of the installer.
- Suspension devices should be rated to withstand at least five times the luminaire's weight (125lbs).
- Minimum of 4" distance from luminaire to any combustable material and minimum of 12" between luminaires.
- Luminaire is not intended for recessed use and should be mounted such that proper ventilation is possible.
- Recommend safety glasses, helmet, leather gloves and suitable personal protective equipment during install.
- Wire installation considerations:
 - Wires are not to be concealed or extended through a wall, floor, ceiling or other parts of the building structure.
 - Wires cannot be located above a suspended or dropped ceiling.
 - Wires cannot be permanently affixed to the building structure.
 - Wires must be routed so that they are not subject to strain and are protected from physical damage.
 - Wire must be visible over the entire length, and be used within their rated ampacity as determined for the maximum temperature of the installed environment specified in these instructions.

- 2.** On a large flat surface unfold the pair of lamps carefully avoiding over stressing the wires.
Align the stampings on both sides and slide together avoiding pinching the wires.

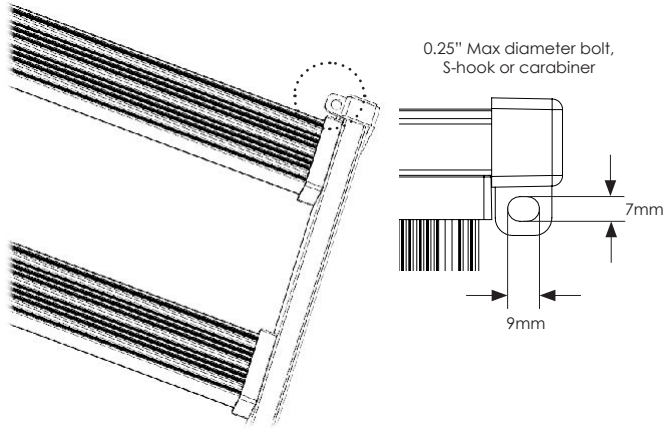


- 3.** Bolt both ends top and bottom with provided machine screws.



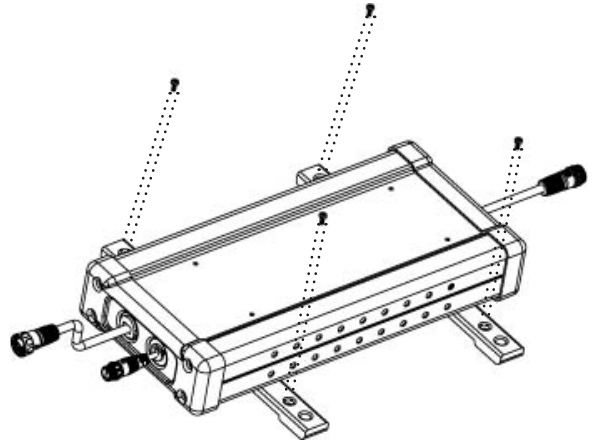
5. Hang lamp by one of two means.

- Hang from corner holes with cable or ratchet/pulleys (not provided)
- Bolt straight to surface through provided holes in corners. Max 1/4" hook Diameter

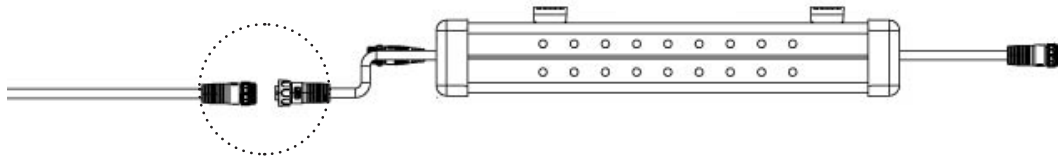


6. Power supply can be mounted by two means

- *Mount the supply to the top of the lamp with the output connection:* Supply can be secured with the four self-tapping screws provided through the power supply brackets.
- *Mount the supply remotely:* Affix the supply to rack or wall through the bolt or screw holes on the power supply brackets (mounting screws not provided for vertical mounting).



7. Connect the lamp to the power supply through the 3-pin snap connectors. Additional 3 and 6 foot extension cords are optional equipment. Connect the AC adapter cord to the input side of the power supply (3-pin threaded). *Optional dimming function can be controlled through 0 - 10V dimming cord accessory.



8. Wire the lights to the building's AC power using the wiring diagram below.

Lamp Input Wires
White = Neutral
Black = Line
Green = Ground

