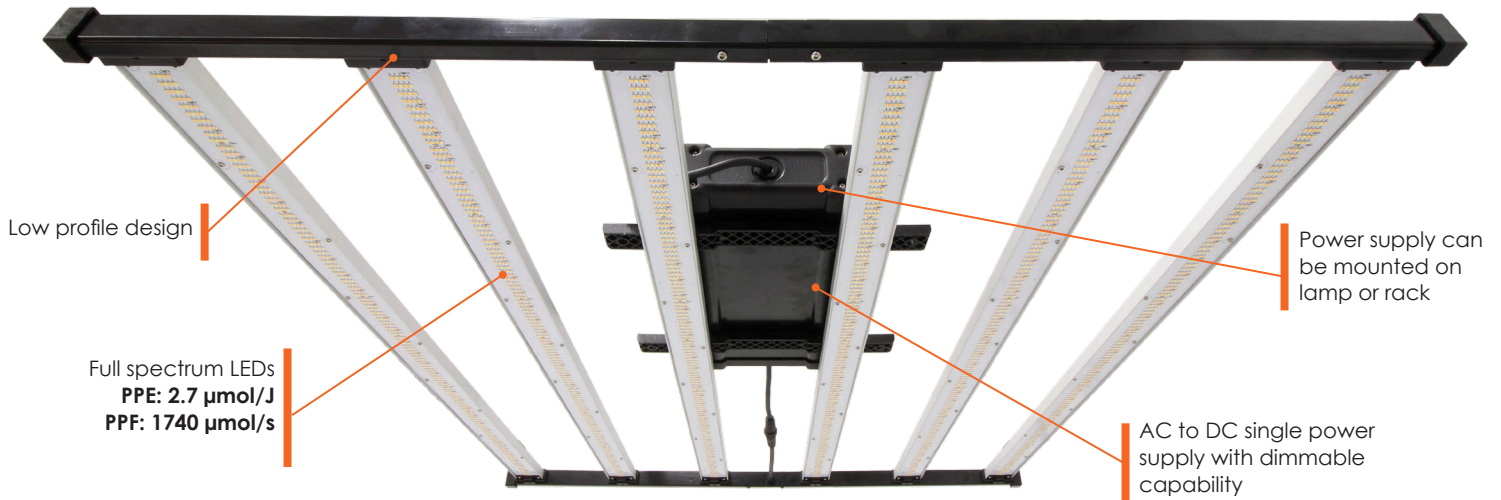


EMPOWER

CANNABIS/HIGH PPFD LIGHTING

Cannabis/High PPFD Lighting

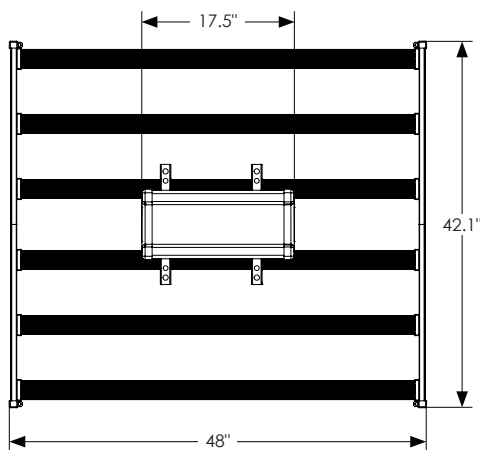


Features

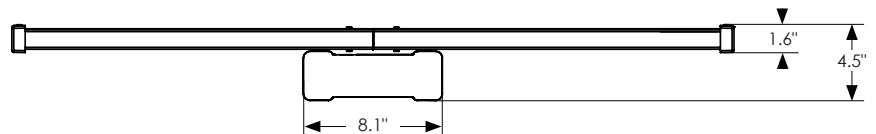
- Controlled environment horticulture applications which require high PPFD and uniformity
- Full-cycle rapid growth (vegetative to flowering) achieved with full-spectrum LEDs, ensuring greater yield and crop quality
- Top light, single or multi-tier cultivation sized to fit standard 4 x 8 grow rack
- Equipped with NEMA 5-15 plug
- 2 NEW lamps for the Empower line are coming soon

Product Dimensions

Top View



Side View



Lamp Weight: 22.2 lbs
Power Supply Weight: 15.0 lbs



UL Listed 8800



3030 Corporate Grove Dr • Hudsonville • MI • 49426

Phone: 616-396-1355 • Fax: 616-396-1152 • www.itc-us.com • hortsales@itc-us.com

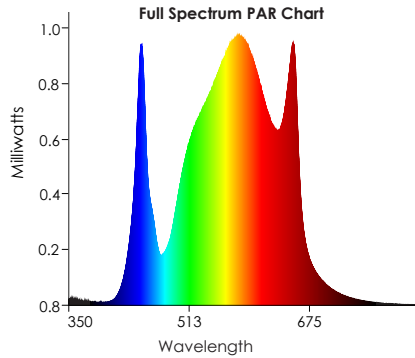
REV [12.02.20]

EMPOWER

CANNABIS/HIGH PPF LIGHTING

Full Spectrum

- High performance top lighting
- Exceptional intensity, uniformity and efficacy
- Increase yield while decreasing energy use



PPF	1740 $\mu\text{mol/s}$
PPE	2.7 $\mu\text{mol/J}$
Input Voltage	Auto-sensing 120 - 277V AC
Power	647W
Heat Output	2206 BTU/hr
IP Rating [Lamp]	IP66
IP Rating [Power Supply & Connections]	IP67
Max Amperage by Voltage Service	
Voltage	120V 208V 240V 277V 347V
Amperage	5.39A 3.11A 2.69A 2.33A 1.86A

Part Number Specification: HLK KKKK-XXX

Base Part	Spectrum (KKKK)	Power Supply (XXX)
HLK	4001 - Full	D01 - USA Dimmable power supply (90 - 305V) D02 - CA Dimmable power supply (180 - 528V)

***5 year or 50,000 hour warranty on light and power supply
<https://www.itc-horticulture.com/resources/warranty/>*

Accessory Specification

AC/DC Power Cords	Description
810-00412-10	10 ft AC Wire F Connector
460-00200-36	3 ft DC power cord extension
460-00200-72	6 ft DC power cord extension

Hanging Options	Description
810-00519	2 Lamp Rack Hanging System
810-00518	Rack or Open Room Hanging System
810-00517	1 Lamp Rack Hanging system

**See installation instructions for more hanging description*



UL Listed 8800



3030 Corporate Grove Dr • Hudsonville • MI • 49426

Phone: 616-396-1355 • Fax: 616-396-1152 • www.itc-us.com • hortsales@itc-us.com

REV [12.02.20]