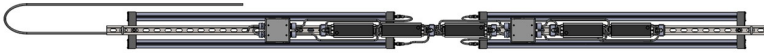





Amplify Install Instructions

(Part #HLK-XXXX-A01)

PARTS/TOOLS NEEDED:

	
Amplify Light (Unistrut)	Cable or Chain (Not provided)

IMPORTANT SAFETY INSTRUCTIONS - SAVE THESE INSTRUCTIONS

Read all instructions before using this product.

AMPLIFY SHOULD ONLY BE INSTALLED USING THE FOLLOWING INSTRUCTIONS. FAILURE TO FOLLOW THESE INSTRUCTIONS WILL VOID THE WARRANTY.

DANGER - To reduce the risk of electric shock; Turn off power, lockout etc. before installation, cleaning or inspection.

WARNING - To reduce the risk of burns, fire, electric shock, or injury to persons:

- Disconnect from power and unmount before servicing.
- For commercial or industrial use only. Luminaire designed for greenhouse use only.
- Use this product only for its intended use as described in these instructions.
- Installation of this product should be completed by a qualified electrician in accordance with NEC and local codes.
- Never operate this product if it has a damaged cord or plug, if it is not working properly, or if it has been dropped or damaged. Contact ITC for a replacement.
- Keep the cord away from heated surfaces.
- Luminaire suitable for operation in an ambient temperature between 0°C and 40°C (a mechanical ventilation or cooling system is required to maintain the temperature within the growing space below 40°C when the luminaire is in operation).
- Do not use outdoors, suitable for dry and/or damp locations. Do not immerse any components.

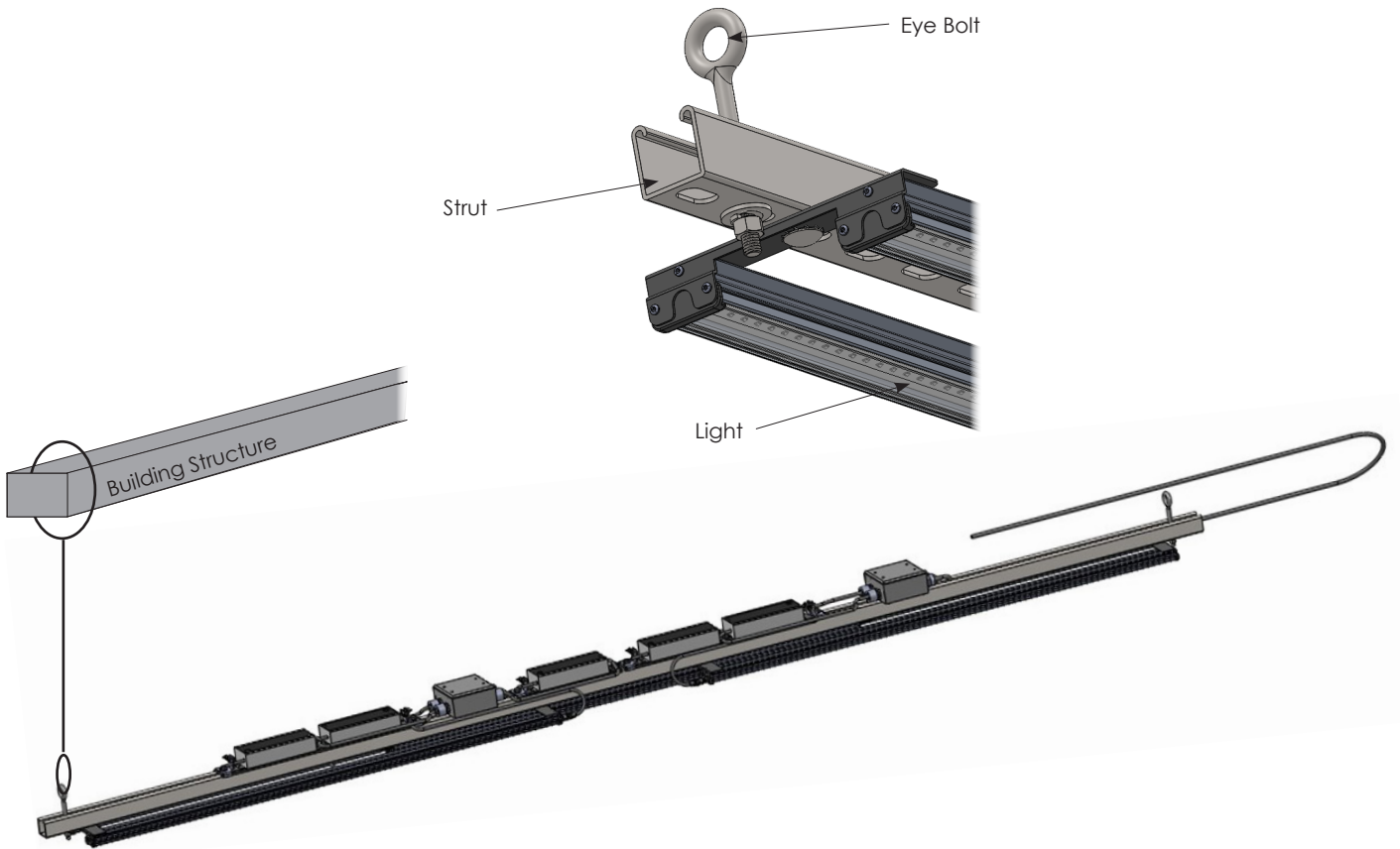
WARNING - Caution, possible hazardous optical radiation emitted from this product. Do not stare at operating lamp. May be harmful to the eyes.

1. ATTENTION

- Selection of material having the proper strength and corrosion resistance for the environment is the responsibility of the installer.
- Suspension devices should be rated to withstand at least five times the luminaire's weight (250lbs).
- Minimum of 4" distance from luminaire to any combustible material and minimum of 12" between luminaires.
- Luminaire is not intended for recessed use and should be mounted such that proper ventilation is possible.
- Recommend safety glasses, helmet, leather gloves and suitable personal protective equipment during install.
- Wire installation considerations:
 - Wires are not to be concealed or extended through a wall, floor, ceiling or other parts of the building structure.
 - Wires cannot be located above a suspended or dropped ceiling.
 - Wires cannot be permanently affixed to the building structure.
 - Wires must be routed so that they are not subject to strain and are protected from physical damage.
 - Wire must be visible over the entire length, and be used within their rated ampacity as determined for the maximum temperature of the installed environment specified in these instructions.



2. Power supplies and junction box will come already bolted to the 10' slotted strut. Mount the strut using the eye-bolts on either end. Installer is responsible for suspension materials and assembly.
- Loop upper end of cable/chain around a structural member and secure properly.
 - Loop lower end of cable/chain through luminaire eye-bolt and secure properly at desired height.
 - Repeat for opposite side.



3. Wire the lights to the building's AC power using the wiring diagram below.

Lamp Input Wires
White = Neutral
Black = Line
Green = Ground

